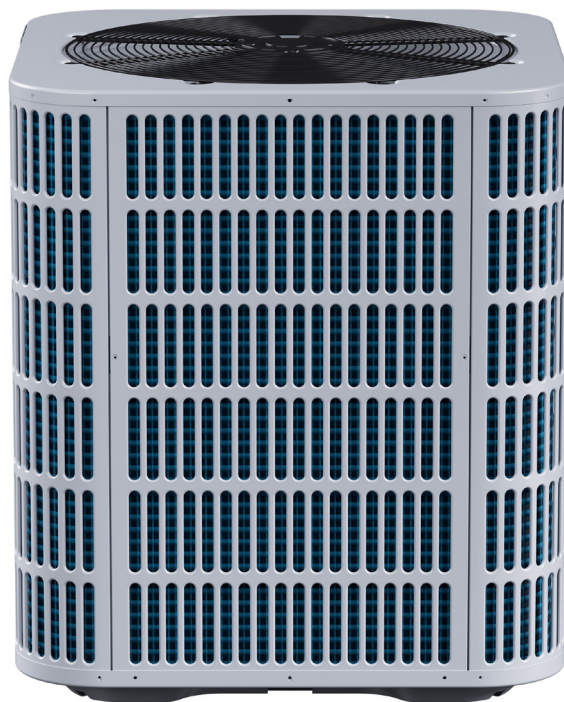
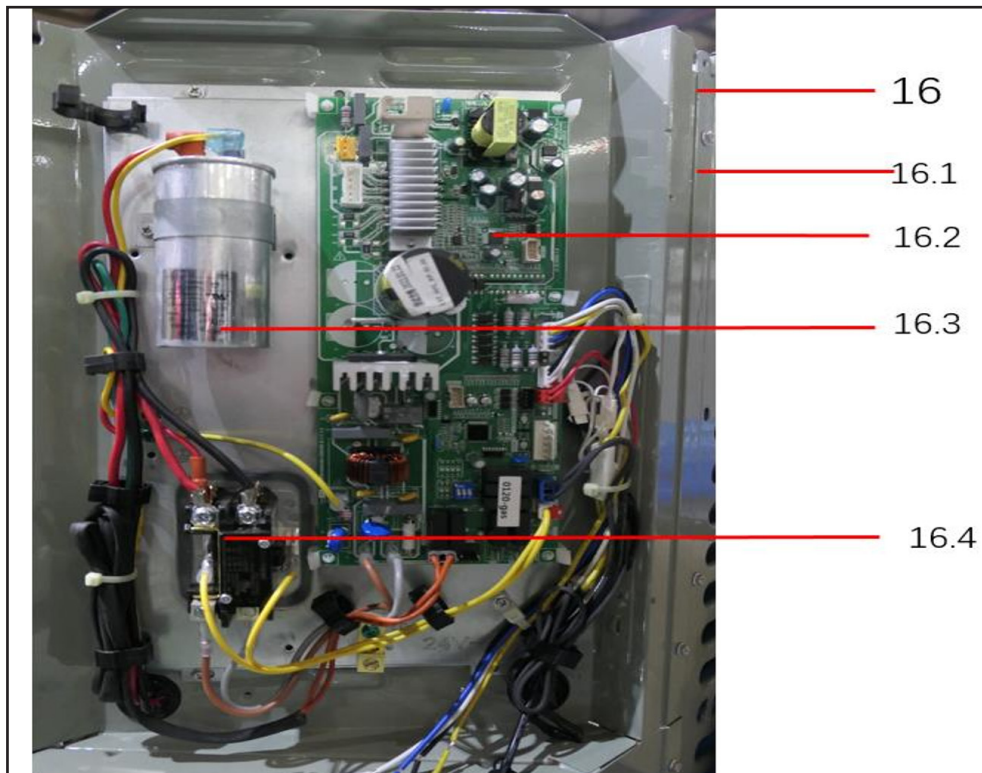
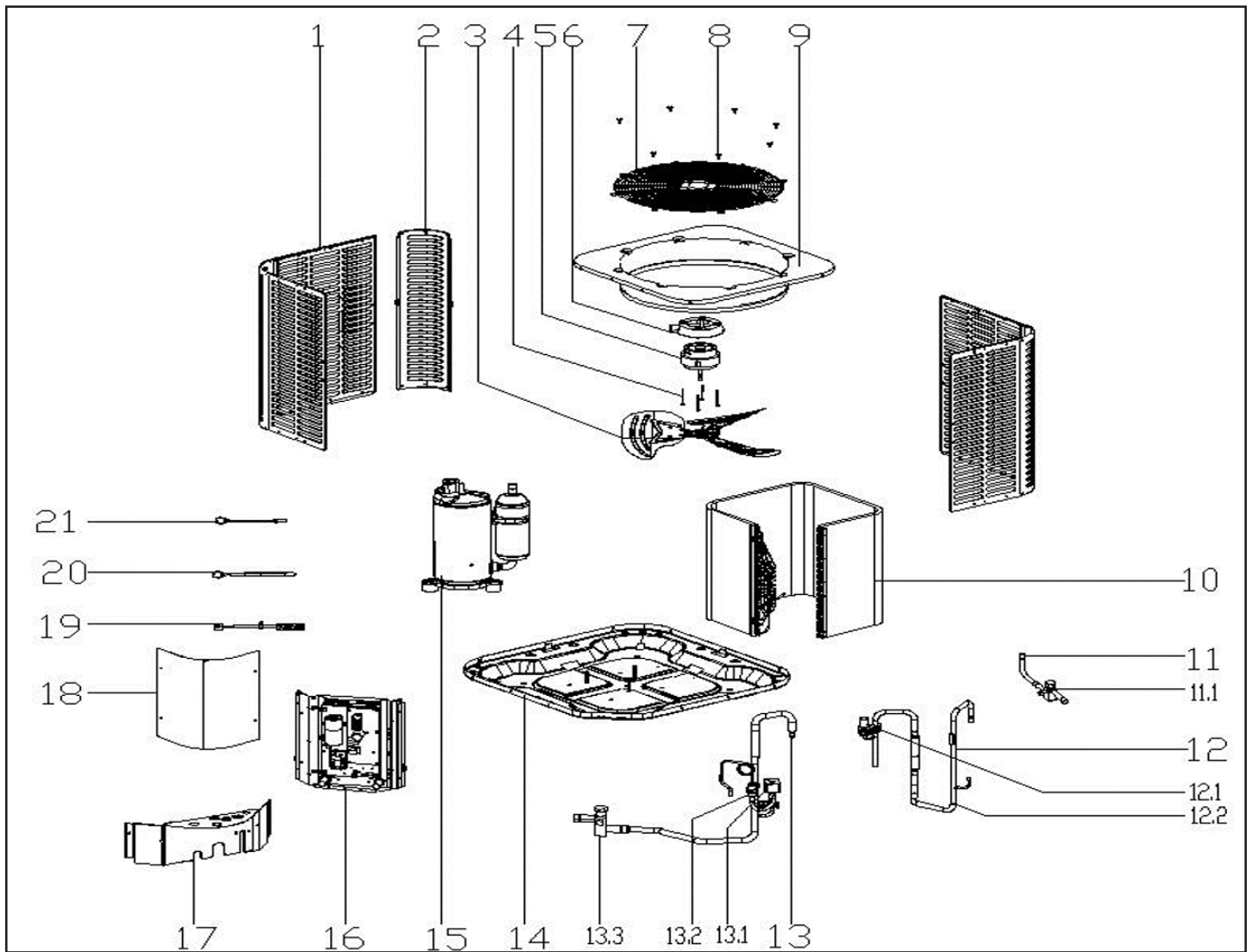

Comfort-Care® **Century**®
SE Series

Split System Air Conditioner

RSA1530S1A
Parts List



MARS®



EX_ID	Spare Parts Code	Part Name(EN)	Qty.	Recommend store spare parts
1.1	12223000A03410	Side panel assembly	2	
1.2	12223000A03411	Side panel assembly	2	
2	12223000002572	Side panel assembly	3	
3	12200104000032	Axial Flow Fan	1	YES
4	11301805000012	Motor Mounting bolt	4	
5	11002015016400	Brushless DC Motor	1	YES
6	12123000000464	Motor installation board ass'y	1	
7	12923000000028	Grille, top cover	1	
8	11301002000001	Stainless steel bolts	8	
9	12223000001097	Top cover assembly	1	
10	15823000000265	Condenser ass'y	1	YES
11	15423000003178	Stop valve ass'y	1	
11.1	15500206000018	Block valve	1	YES
12	15423000005821	Air discharge pipe assembly	1	
12.1	17400516000628	Pressure controller	1	YES
12.2	15500203000030	One-Way Valve	1	YES
13	15123000013576	Suction pipe assembly	1	
13.1	15500205000034	Solenoid vlave ass'y	1	YES
13.2	15500504000129	Strainer	1	YES
13.3	15500206000026	Block valve	1	YES
14	12223000002433	Base assembly	1	
15	11103010014509	Fixed Speed Rotary Compressor	1	YES
16	17223000008831	E-part box assembly	1	
16.1	12223000015849	Installation plate of electric parts subassembly	1	
16.2	17123000A04026	Outdoor main control board assembly	1	YES
16.3	17400103000147	Capacitor	1	
16.4	11203502000032	AC contactor	1	YES
17	12223000016090	Side panel assembly	1	
18	12223000A05994	Side panel assembly	1	
19	17400513003814	Discharge Temperature switch	1	YES
20	11201007000073	Room Temperature Sensor	1	YES
21	11201007000136	Pipe Temperature Sensor	1	YES

Due to ongoing product improvements, specifications and dimensions are subject to change and correction without notice or incurring obligations. Determining the application and suitability for use of any product is the responsibility of the installer. Additionally, the installer is responsible for verifying dimensional data on the actual product prior to beginning any installation preparations.

Incentive and rebate programs have precise requirements as to product performance and certification. All products meet applicable regulations in effect on date of manufacture; however, certifications are not necessarily granted for the life of a product. Therefore, it is the responsibility of the applicant to determine whether a specific model qualifies for these incentive/rebate programs.



1900 Wellworth Ave., Jackson, MI 49203 • Ph. 517-787-2100 • www.marsdelivers.com

